

A1. Wiring Ducts

CE RoHS EASCO® Flat Cable Clip (扁钢钉线卡)

A2. Cable Ties

Material: PE,(nail) medium carbon steel.
Color: Mostly grey and white, other colors are also available.
Feature:

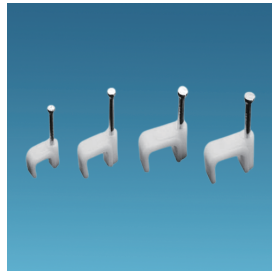
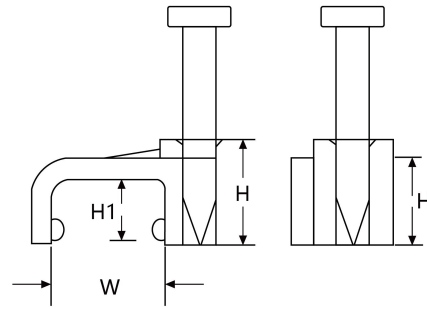
A3. Din Rails

- Fixable, good elasticity, to bear collision, unable broken.
- Inserted nail, nail stick to plastic seat, save time and cost down.

A4. Cable Markers

材质: PE、中碳钢(钉子)
产品颜色: 灰色、白色、其他颜色皆可订制

- 特点:
- 弹性大、耐冲击、绝不破裂。
 - 采插钉式, 钢钉直接附着于塑胶座上, 可大量节省工时, 降低施工成本。



Article No.	Part No.	Specification	H	H1	W	Nail Size	Small Pack	Big Pack
货号	型号	规格				钢钉尺寸	小包装	大包装
A0116.000.001	CF04	4mm	6.0	3.8	4.0	1.7x15	100	1000
A0116.000.002	CF05	5mm	6.0	3.8	5.0	1.7x15	100	1000
A0116.000.003	CF06	6mm	6.5	4.1	6.0	1.7x17	100	1000
A0116.000.004	CF07	7mm	7.0	4.7	7.0	1.9x18	100	1000
A0116.000.005	CF08	8mm	7.5	5.0	8.0	2.05x19	100	1000
A0116.000.006	CF09	9mm	8.2	5.4	9.0	2.05x22	100	1000
A0116.000.007	CF10	10mm	8.6	5.7	10.0	2.32x23	100	1000
A0116.000.008	CF12	12mm	9.0	6.1	12.0	2.32x25	100	1000
A0116.000.009	CF14	14mm	11.0	8.0	14.0	2.32x23	100	1000

A5. Cable Clamps

A6. Wrapping Bands

A7. Nylon Cable Gland

A8. Metal Cable Gland

A9. Plastic Flexible Conduit

CE RoHS EASCO® Cable Clip (圆钢钉线卡)

A10. Metal Flexible Conduit

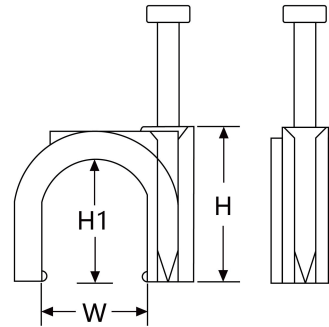
Material: PE,(nail) medium carbon steel.
Color: Mostly grey and white, other colors are also available.
Feature:

A11. Terminal

- Fixable, good elasticity, to bear collision, unable broken.
- Inserted nail, nail stick to plastic seat, save time and cost down.

材质: PE、中碳钢(钉子)
产品颜色: 灰色、白色、其他颜色皆可订制

- 特点:
- 弹性大、耐冲击、绝不破裂。
 - 采插钉式, 钢钉直接附着于塑胶座上, 可大量节省工时, 降低施工成本。



Article No.	Part No.	Specification	H	H1	W	Nail Size	Small Pack	Big Pack
货号	型号	规格				钢钉尺寸	小包装	大包装
A0116.001.001	CR04	4mm	4.0	4.0	6.5	17x15	100	1000
A0116.001.002	CR05	5mm	5.0	4.8	7.6	17x15	100	1000
A0116.001.003	CR06	6mm	6.0	5.7	9.8	1.85x16	100	1000
A0116.001.004	CR07	7mm	7.0	6.5	10.0	1.9x18	100	1000
A0116.001.005	CR08	8mm	8.0	7.2	11.7	1.9x20	100	1000
A0116.001.006	CR09	9mm	9.0	8.2	12.7	1.9x20	100	1000
A0116.001.007	CR10	10mm	10.0	8.6	13.5	2.1x23	100	1000
A0116.001.008	CR12	12mm	12.0	10.6	15.8	2.1x25	100	1000
A0116.001.009	CR14	14mm	14.0	12.7	17.3	2.1x30	100	1000
A0116.001.010	CR16	16mm	16.0	14.5	19.6	2.6x32	100	500
A0116.001.011	CR18	18mm	18.0	16.2	21.5	2.6x38	100	500
A0116.001.012	CR20	20mm	20.0	17.8	22.2	2.9x38	100	250
A0116.001.013	CR22	22mm	22.0	20.3	25.4	2.9x40	100	200
A0116.001.014	CR25	25mm	25.0	22.9	28.4	3.2x45	100	100

A12. Copper Tube Terminals

A13. Heat Shrinkable Tubings

A14. Bus Bar Insulators

A15. Tool

A16. Cable Clip

A17. Insulating Nut

A18. Nylon Cable Carrier

CE RoHS EASCO® Double Nail Flat Cable Clip (双线扁线卡)

Material: Mostly white, other colors are also available

Color: PE,(nail) medium carbon steel

Feature:

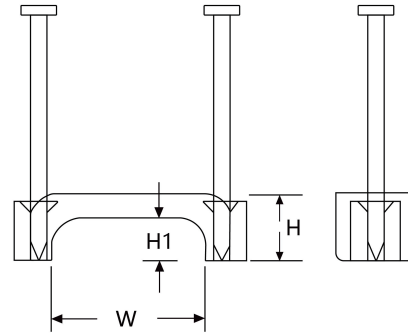
- Fixable, good elasticity, to bear collision, unable broken.
- Double nail could strengthen adhesion.
- Suitable for fastening big flat wires.

材质: PE、中碳钢(钉子)

产品颜色: 白色、其他颜色皆可订制

特点:

- 弹性大、耐冲击、绝不破裂。
- 双钉式设计增强附着力, 坚固不脱落。
- 本产品适用于大型扁线固定用。



Article No.	Part No.	Specification	H	H1	W	Nail Size	Small Pack	Big Pack
货号	型号	规格				钢钉尺寸	小包装	大包装
A0116.002.001	CFD13	13mm	7.9	5.3	12	1.86x31	100	500
A0116.002.002	CFD19	19mm	8.1	5.4	18.3	1.86x31	100	500

CE RoHS EASCO® Double Nail Cable Clip (双钉式电缆固定夹)

Material: Mostly white, other colors are also available

Color: PE,(nail) medium carbon steel

Feature:

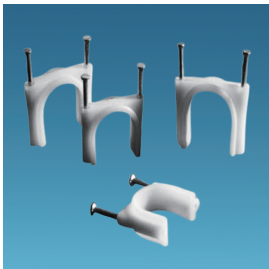
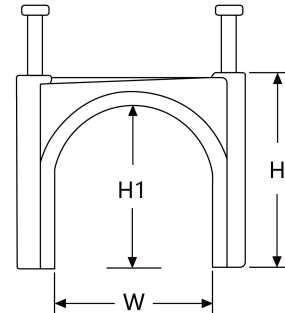
- Fixable, good elasticity, to bear collision, unable broken.
- Double nail could strengthen adhesion.
- Suitable for fasten large PVC pipe or cables.

材质: PE、中碳钢(钉子)

产品颜色: 灰色、其他颜色皆可订制。

特点:

- 弹性大、耐冲击、绝不破裂。
- 双钉式设计增强附着力, 坚固不脱落。
- 本产品适用于大型PVC管或电缆使用。



Article No.	Part No.	H	H1	W	Cable Range	Nail Size	Pkg Qty (pcs)
货号	型号				适用电缆	钢钉尺寸	包装
A0116.003.001	CND32	40	33.5	32	32	3.6x56	50
A0116.003.002	CND40	50	41	40	40	4.0x68	50

- A1. Wiring Ducts
- A2. Cable Ties
- A3. Din Rails
- A4. Cable Markers
- A5. Cable Clamps
- A6. Wrapping Bands
- A7. Nylon Cable Gland
- A8. Metal Cable Gland
- A9. Plastic Flexible Conduit
- A10. Metal Flexible Conduit
- A11. Terminal
- A12. Copper Tube Terminals
- A13. Heat Shrinkable Tubings
- A14. Bus Bar Insulators
- A15. Tool
- A16. Cable Clip
- A17. Insulating Nut
- A18. Nylon Cable Carrier